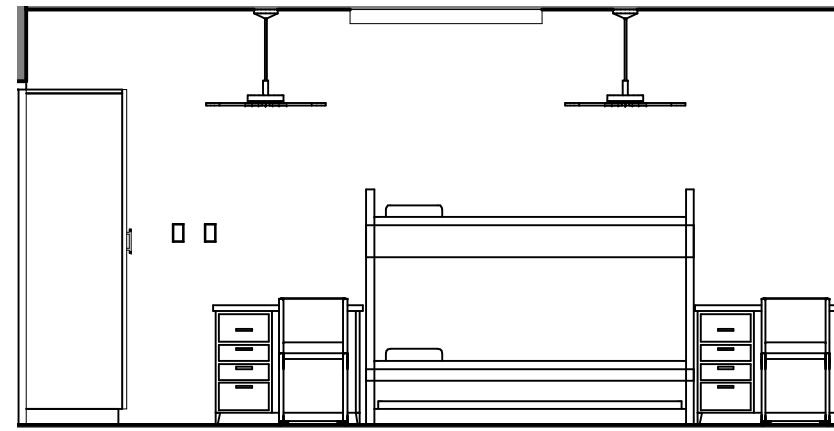
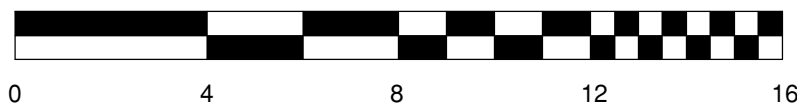
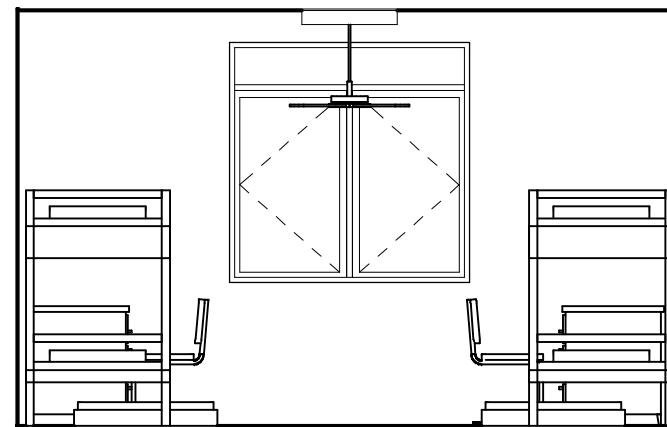


1 DET. BEDROOM PLAN
1/4" = 1'-0"

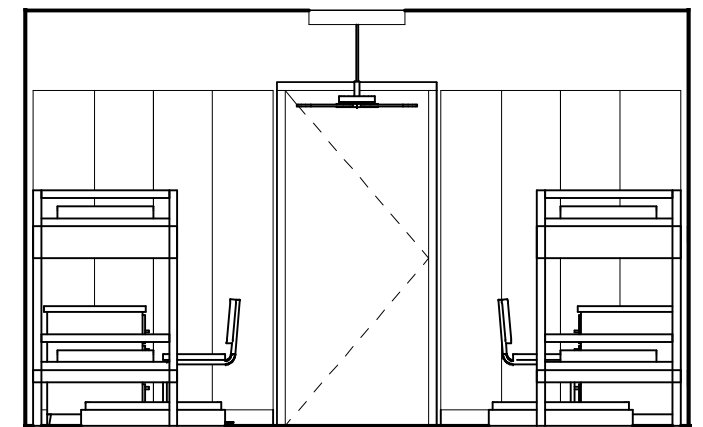
GRAPHIC SCALE



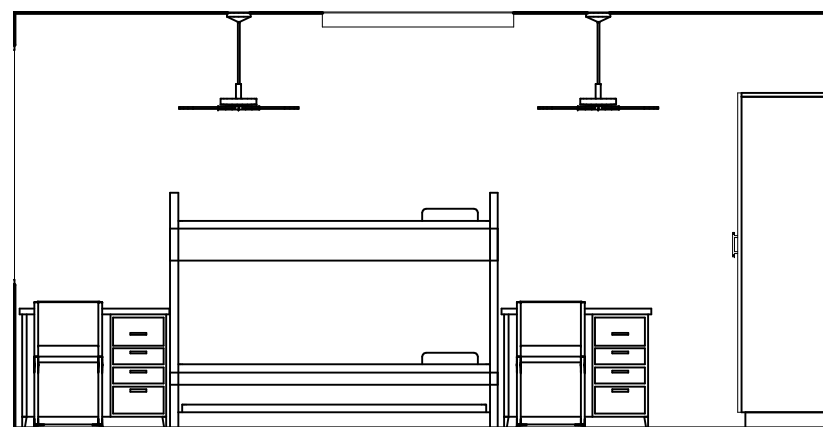
2 ELEVATION 1-A
1/4" = 1'-0"



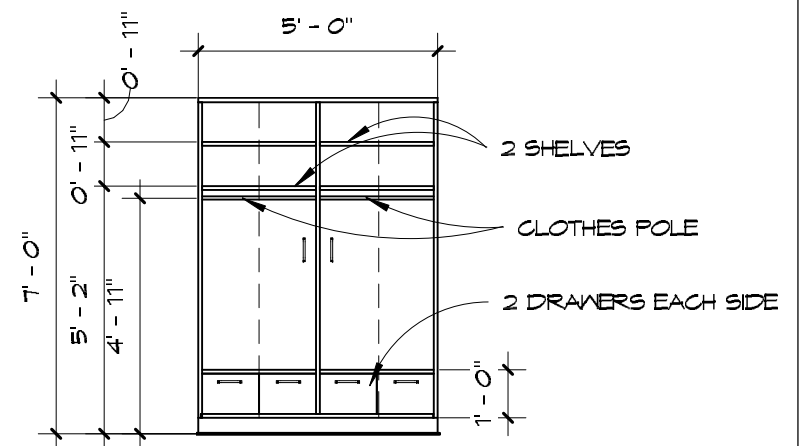
3 ELEVATION 1-B
1/4" = 1'-0"



5 ELEVATION 1-D
1/4" = 1'-0"



4 ELEVATION 1-C
1/4" = 1'-0"



6 TYP. CLOSET DETAIL
1/4" = 1'-0"

Sponsor:
LA JOLLA GOLDEN TRIANGLE ROTARY CLUB
LA JOLLA, CALIFORNIA
STEPHEN BROWN & FARY MOINI
SAN DIEGO, CALIFORNIA

Project:
WOMEN'S DORMITORY
NANGARHAR UNIVERSITY
JALALABAD, AFGHANISTAN

Scheme
A

Architect:
RICK D. CLARK, A.I.A.
MARCIAL ANIAG, DELINEATOR
SAN DIEGO, CALIFORNIA, U.S.A.

Date
02/16/07
Sheet No.
A3